

PRODUCT DATASHEET

REVERE USCG/SOLAS ELLIPSE LIFE RAFT

Meeting the needs of all types of commercial vessels, Revere now offers the USCG/SOLAS approved Ellipse. Universally sized, the new cylindrical container has been designed to fit specifically into the existing cradles and mountings onboard many commercial vessels, without needing to upgrade their onboard infrastructure.



REVERE
SURVIVAL INC.

Revere Survival Inc,
5323 Highway Ave.,
Jacksonville,
FL, 32254

www.reveresurvival.com

LIFE RAFT FEATURES

- USCG/SOLAS approved
- 18m freeboard
- SOLAS A & SOLAS B safety pack options
- USCG/SOLAS approved internal and external lighting system
- Insulated floor to retain heat
- Retro-reflective tape to increase visibility
- Dual zip closure for splash protection
- Dual tube system
- Strong inflatable boarding ramp with reinforced ladder for ease of boarding
- Large water ballast pockets for maximum stability
- External lifeline
- Window ties to enable observation port

KEY FEATURES

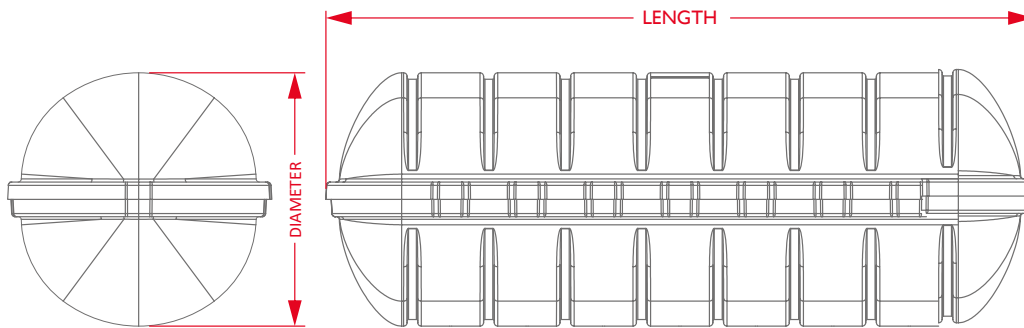
- 6, 8, 10, 12, 16, 20, 25 person
- Approved up to 40m drop height
- SOLAS A & SOLAS B safety pack options
- Cylindrical container
- Launch type: Throw-over

High drop container option available* -
with freeboard up to 40m.
*by special order only

REVERE USCG/SOLAS ELLIPSE LIFE RAFT

Revere Survival Inc,
5323 Highway Ave.,
Jacksonville,
FL, 32254

www.reveresurvival.com



REVERE USCG/SOLAS ELLIPSE SOLAS A

Part no	Pack Type	Capacity (persons)	Length (inches)	Diameter (inches)	Weight (lbs)
290020		6	50	19.5	187
290021		8	50	19.5	216
290015		10	55	21.5	238
290016	SOLAS A	12	55	21.5	275
290017		16	61	21	322
290018		20	64.5	23	379
290019		25	64.5	23	407

REVERE USCG/SOLAS ELLIPSE SOLAS B*

Pack Type	Capacity (persons)	Length (inches)	Diameter (inches)	Weight (lbs)
	6	50	19.5	161
	8	50	19.5	181
	10	55	21.5	194
SOLAS B*	12	55	21.5	220
	16	61	21	247
	20	64.5	23	286
	25	64.5	23	297

*Contact us for specific part no.